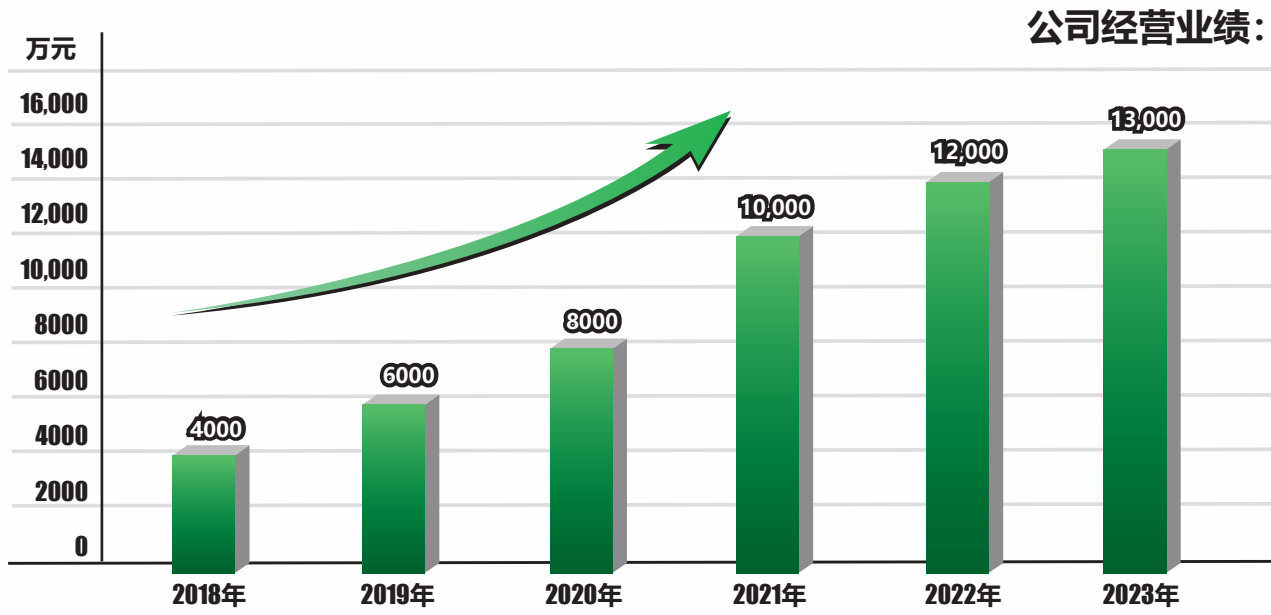


NINGBO DEXIN MOTOR CO., LTD.
宁波德欣电机有限公司







公司介绍

宁波德欣电机有限公司从事微型电机的生产制造十余载，是一家拥有雄厚技术力量的科技型企业。多年来公司不断引进国内外先进技术，凭借先进的自动化生产设备，资深的技术人才，丰富的生产经验，使产品远销全球。

公司主要产品有：RS380、RS385、RS390、RS540、RS545、RS550、RS555、RS560、RS750、RS755、RS770、RS775、RS777、RS887、RS897、RS997等减速电机系列微型电机，更致力于各类无刷电机的定制开发与制造。产品广泛应用于电动工具、家用电器，汽车电机，机器人，智能家居及相关行业，公司已通过ISO9001质量管理体系认证，并通过CE、ROHS、EMC认证，满足及超越不同客户的需求。

公司坚持以科技求发展，以质量求生存，以信誉求合作!以精立业，务实创新，以客户的利益为已任。

热忱欢迎各界朋友亲临考察，合作共赢!

Ningbo Dexin Motor Co., Ltd. has been engaged in the production and manufacturing of micro motors for more than ten years.

It is a scientific and technological advanced enterprise with strong technical force. Over the years, the company has continuously introduced advanced technology at home and abroad. With advanced automatic production equipment, senior technical personnel and rich production experience, the products are exported to the world.

Our main products are RS380,RS385, RS390, RS540, RS545, RS550, RS555, RS560, RS750, RS755, RS770, RS775, RS777, RS887, RS897, RS997 series of micro motor, and more committed to all series of brushless motor. The products are widely used in electric tools, household appliances, automobile motors, robots smart home and related industries. The company has passed ISO9001, CE, ROHS, EMC certification, to meet the needs of different customers.

The company adheres to the development of science and technology, the survival of quality, the cooperation of reputation, to fine business, pragmatic innovation

Warmly welcome friends to visit and guide!

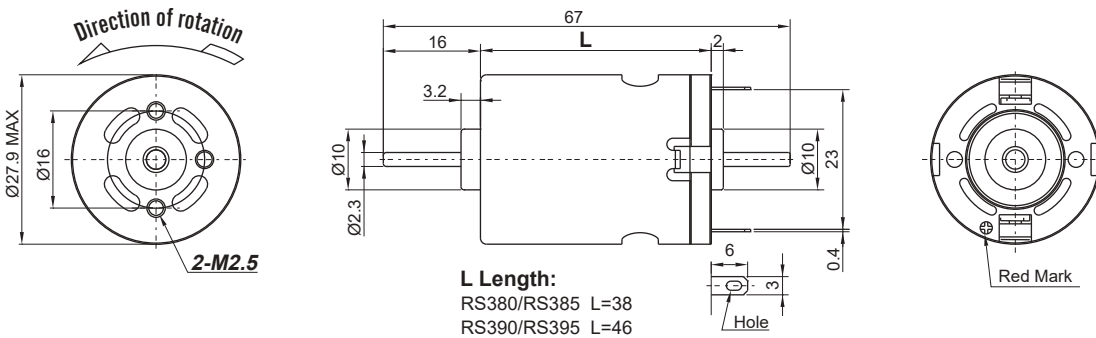


主要用途:
 汽车产品
 雨刮条器泵
 电动工具
 吸尘器
 厨卫电器
 按摩器材

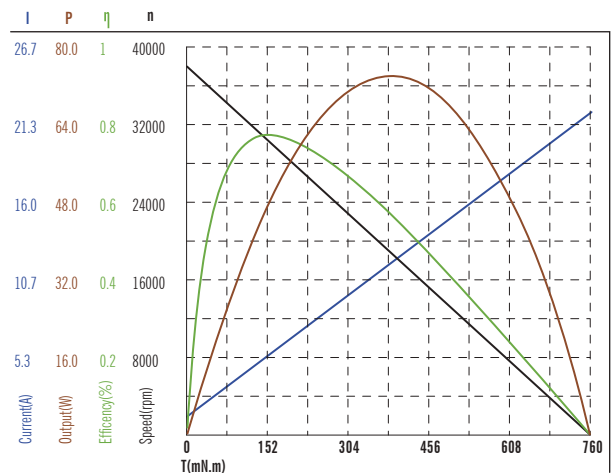
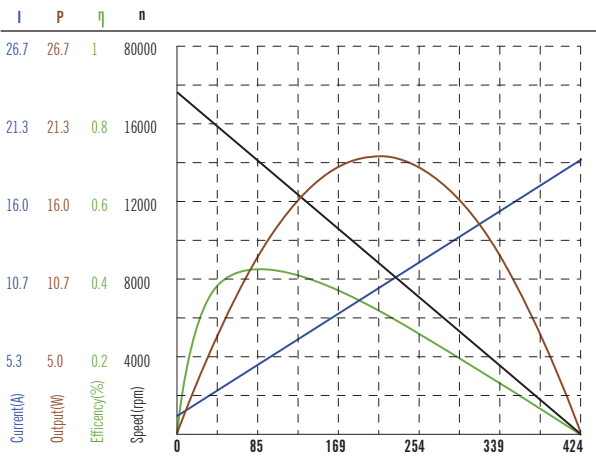
Application:
 Automotive products
 Washer pump
 Electric tool series
 Vacuum cleaner
 Kitchen appliances
 Massager

型号 MODEL	电压 VOLTAGE		空载 NO LOAD		最大效率 AT MAXIMUM EFFICIENCY					扭矩 STALL TORQUE (g.cm)
	运行范围 OPERATING RANGE	标准值 NOMINAL	转速 SPEED (Rpm)	电流 CURRENT (A)	转速 SPEED (Rpm)	电流 CURRENT (A)	扭矩 TORQUE (g.cm)	输出 OUTPUT (W)	效率 EFF (%)	
DC-RS380-3270	3.6~24.0	7.2v CONSTANT	9397	0.37	8003	1.56	92.0	7.55	67.2	620
DC-RS380-4535	1.2~15.0	6.0v CONSTANT	15440	0.71	13190	3.33	108.0	14.60	73.1	740
DC-RS385-18100	6.0~36.0	12.0v CONSTANT	6380	0.16	5160	0.51	67	3.5	57.2	350
DC-RS385-3525	4.8~24.0	9.6v CONSTANT	21700	0.69	18550	3.12	101	19.2	64.1	700
DC-RS390-26100	6.0~18.0	12.0v CONSTANT	15000	0.22	12800	1.6	149	6.74	61.0	1050
DC-RS395-2370	6.0~24.0	12.0v CONSTANT	10000	0.2	8170	0.89	80.5	6.7	62.0	440
DC-RS395-5015	4.8~18.0	18.0v CONSTANT	24000	2.1	19000	10.5	135	27.0	61.0	620

外形图 OUTLINE DRAWING



性能曲线 PERFORMANCE CURVE

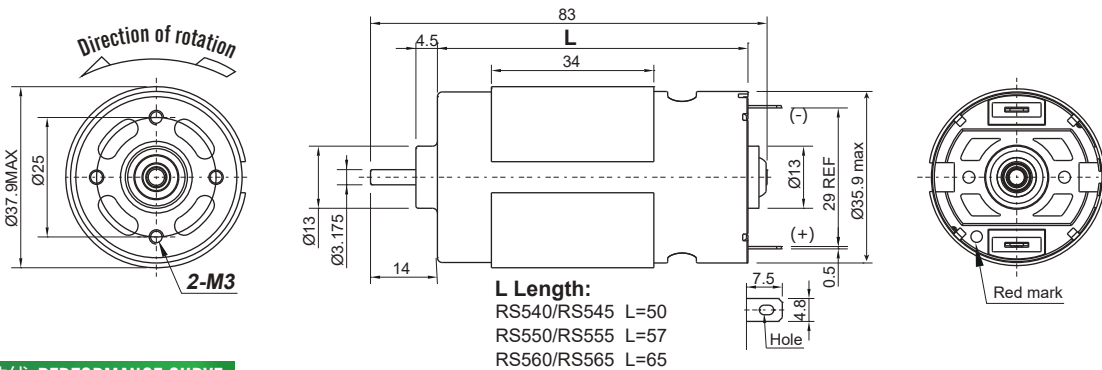




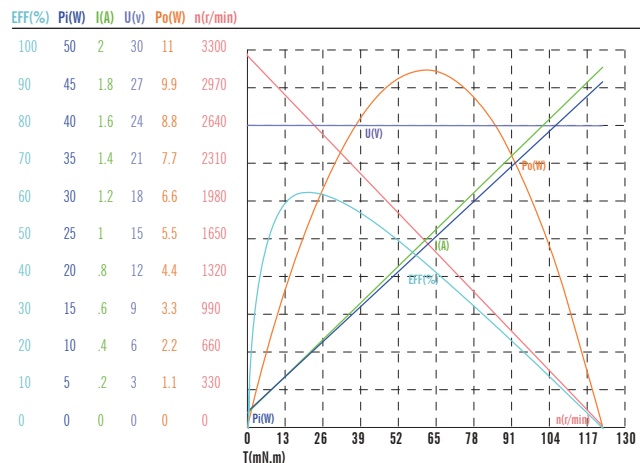
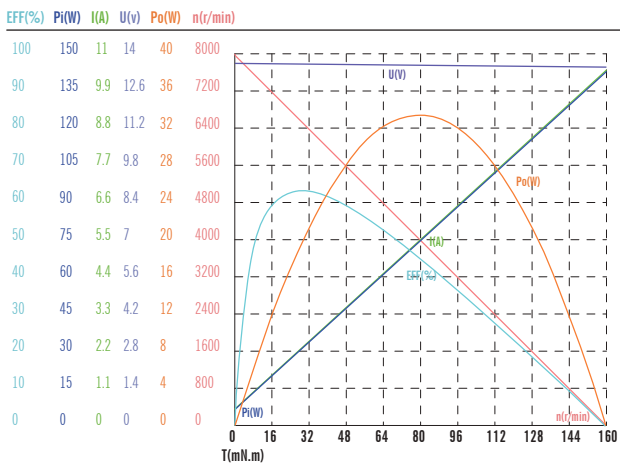
主要用途: Application:
 汽车产品 Automotive products
 吸尘器 Vacuum cleaner
 充气泵 Air pump
 园林工具 Garden tools
 电动工具 Electric tool series

型号 MODEL	电压 VOLTAGE		空载 NO LOAD		最大效率 AT MAXIMUM EFFICIENCY					扭矩 STALL TORQUE (g.cm)
	运行范围 OPERATING RANGE	标准值 NOMINAL	转速 SPEED (Rpm)	电流 CURRENT (A)	转速 SPEED (Rpm)	电流 CURRENT (A)	扭矩 TORQUE (g.cm)	输出 OUTPUT (W)	效率 EFF (%)	
DC-RS540-6530	3.6~15.0	12.2v CONSTANT	23500	1.70	20500	11.30	450	95.0	70.0	3600
DC-RS540-7024	1.2~12.0	7.2v CONSTANT	18200	2.90	20240	14.10	300	62.3	61.4	2500
DC-RS545-18150	12~32.0	24.0v CONSTANT	5300	0.10	4390	0.48	155	6.97	72.0	900
DC-RS545-2860	6.0~24.0	12.0v CONSTANT	6800	0.25	5730	1.34	176	10.4	75.0	1121
DC-RS550-6522	3.0~18.0	9.6v CONSTANT	18500	1.70	15750	11.78	420	67.90	60.0	2840
DC-RS550-6530	3.0~18.0	12.0v CONSTANT	17200	1.30	15470	9.0	352	55.90	51.8	3500
DC-RS555-20120	18.0~36.0	42.0v CONSTANT	9200	0.24	8351	1.11	350	29.98	64.5	2500
DC-RS565-2595	6.0~24.0	24.0v CONSTANT	6300	0.16	5800	0.7	260	10.8	61.2	2100
DC-RS565-3165	6.0~24.0	12.0v CONSTANT	4900	0.27	3500	1.68	300	12.4	62.0	2750

外形图 OUTLINE DRAWING



性能曲线 PERFORMANCE CURVE

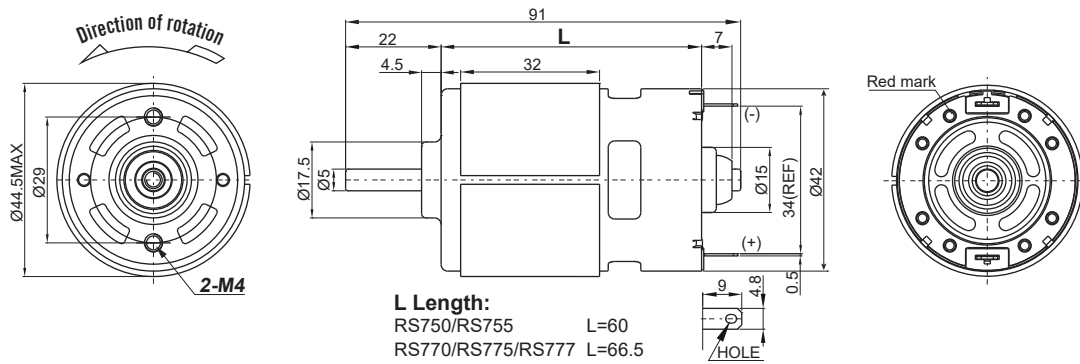




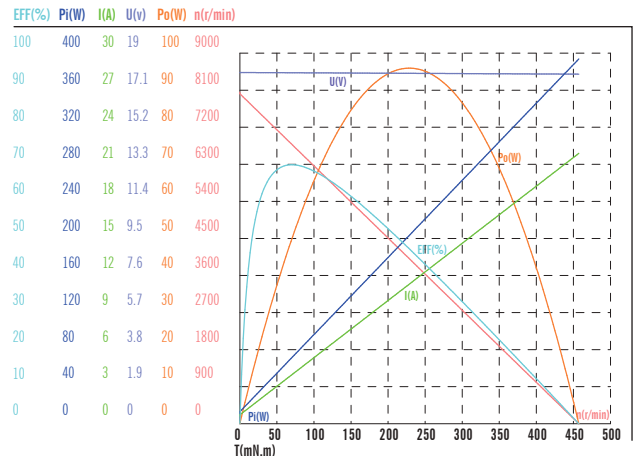
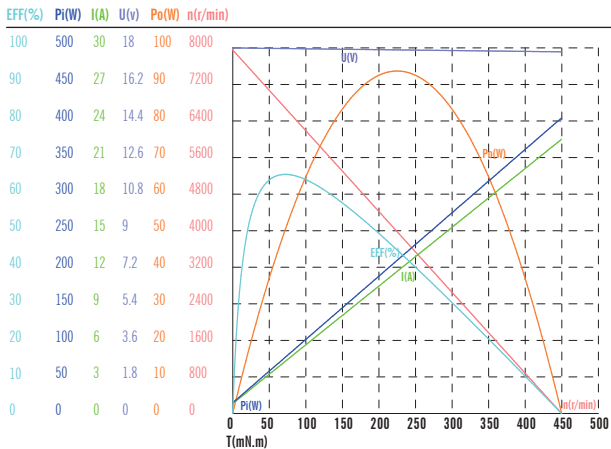
主要用途: Application:
 电动工具 Electric tool series
 充气泵 Air pump
 吸尘器 Vacuum cleaner
 充电风扇 Charging fan
 电动缝纫机 Sewing machine

型号 MODEL	电压 VOLTAGE		空载 NO LOAD		最大效率 AT MAXIMUM EFFICIENCY					扭矩 STALL TORQUE (g.cm)
	运行范围 OPERATING RANGE	标准值 NOMINAL	转速 SPEED	电流 CURRENT	转速 SPEED	电流 CURRENT	扭矩 TORQUE	输出 OUTPUT	效率 EFF	
			(Rpm)	(A)	(Rpm)	(A)	(g.cm)	(W)	(%)	
DC-RS750-31190	6.0~24.0	24.0v CONSTANT	5050	0.38	4390	2.0	510	46.0	67.3	4700
DC-RS750-8022	3.0~15.0	12.0v CONSTANT	20500	2.80	18230	20.70	950	187.4	75.4	7050
DC-RS755-3180	20.0~36.0	24.0v CONSTANT	5750	0.45	4820	1.82	500	28.5	65.2	3100
DC-RS755-3546	9.0~36.0	12.0v CONSTANT	5150	0.50	4380	2.05	380	22.0	67.3	2750
DC-RS770-7038	3.0~24.0	12.0v CONSTANT	10600	1.50	9074	7.47	783	72.9	81.3	5500
DC-RS770-7529	3.0~24.0	20.0v CONSTANT	24500	2.50	21520	17.90	1400	309.0	84.6	11500
DC-RS775-29655	9.0~36.0	24.0v CONSTANT	6280	0.37	5010	1.87	600	30.83	68.7	3640
DC-RS775-4045	9.0~36.0	12.0v CONSTANT	4600	0.60	3500	4.30	860	36.6	70.9	3600

外形图 OUTLINE DRAWING



性能曲线 PERFORMANCE CURVE

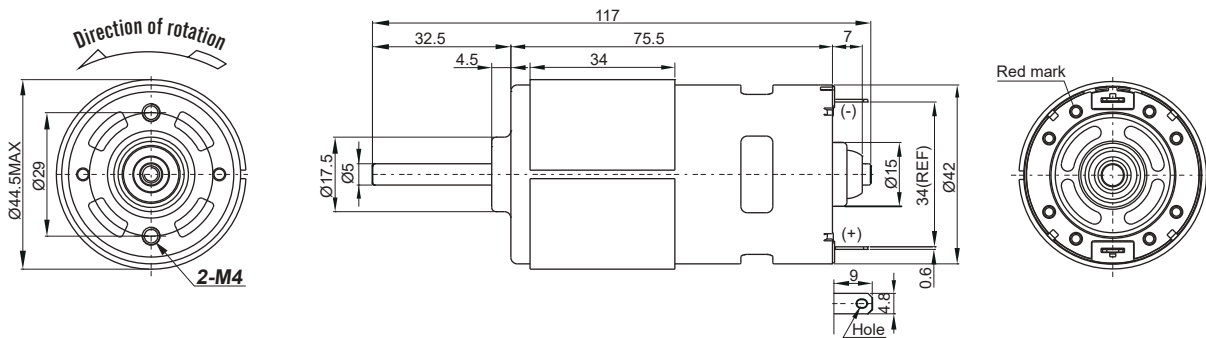




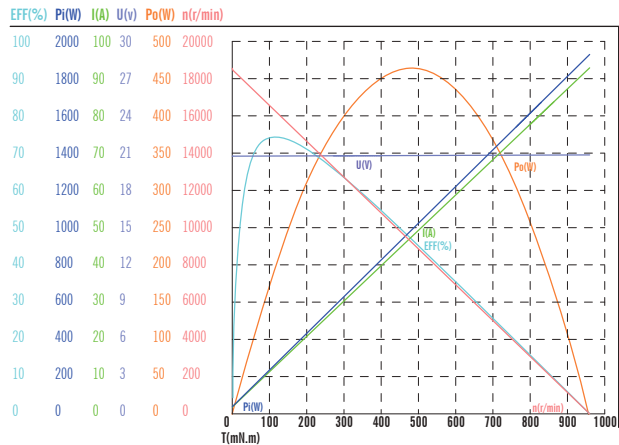
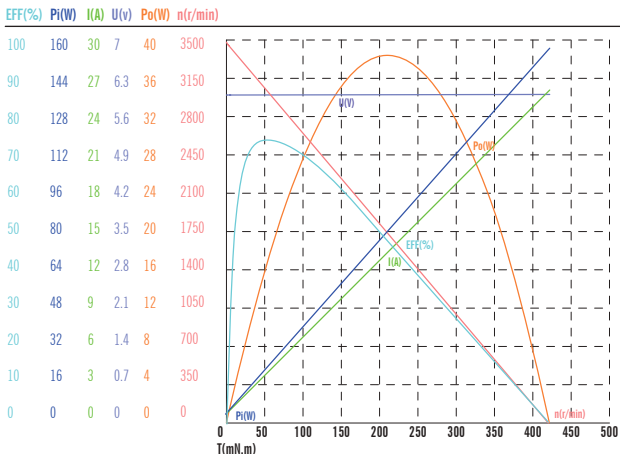
主要用途: 电动工具 割草机 升降窗帘 水泵 厨房用品
Application: Power tools lawn mower Lifting curtain Water pump Kitchen supplies

型号 MODEL	电压 VOLTAGE		空载 NO LOAD		最大效率 AT MAXIMUM EFFICIENCY					扭矩 STALL TORQUE (g.cm)
	运行范围 OPERATING RANGE	标准值 NOMINAL	转速 SPEED (Rpm)	电流 CURRENT (A)	转速 SPEED (Rpm)	电流 CURRENT (A)	扭矩 TORQUE (g.cm)	输出 OUTPUT (W)	效率 EFF (%)	
DC-RS795-HF0002	6-36V	6.Dv CONSTANT	3400	0.50	3000	4.00	550	17.7	73.88	2100
DC-RS795-6718	4-36V	12.Dv CONSTANT	8400	0.63	7300	6.50	740	56.6	73.40	5900
DC-RS795-7515	10-36V	24.Dv CONSTANT	21000	2.00	18500	14.50	1300	255	73.20	11000

外形图 OUTLINE DRAWING



性能曲线 PERFORMANCE CURVE



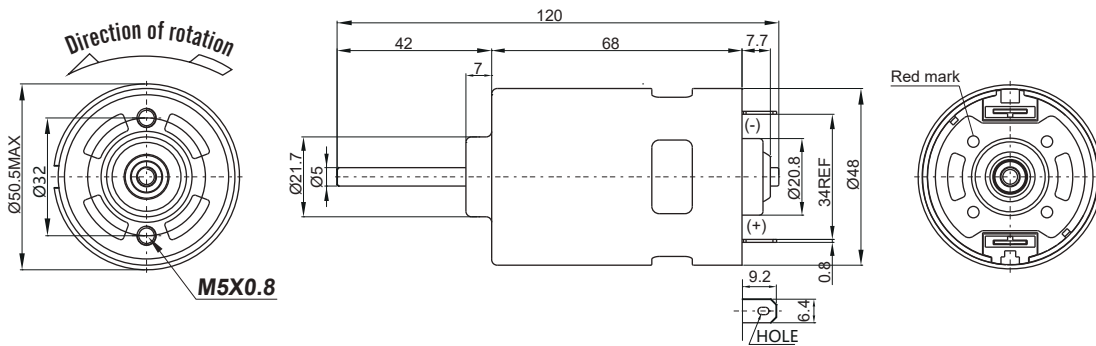
DC-RS887 SERIES 高扭力电机系列 High torque motor series



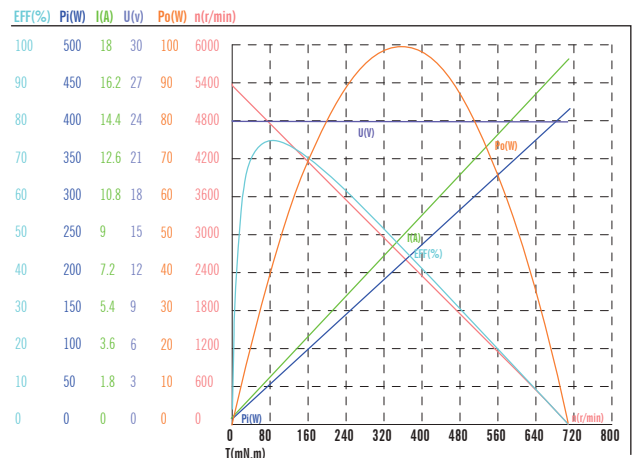
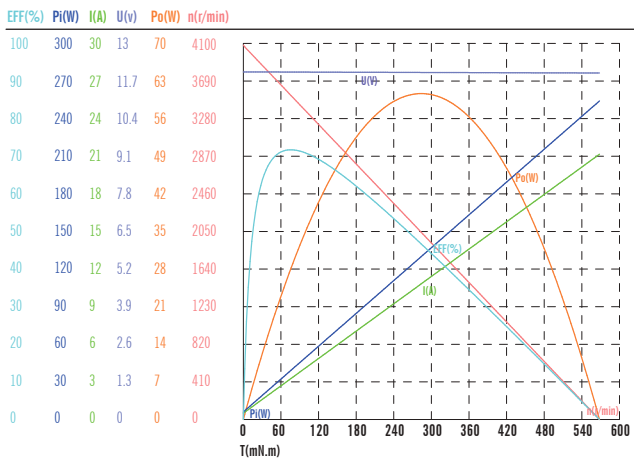
主要用途: Application:
 电动工具 Power tools
 割草机 lawn mower
 升降窗帘 Lifting curtain
 水泵 Water pump
 厨房用品 Kitchen supplies

型号 MODEL	电压 VOLTAGE		空载 NO LOAD		最大效率 AT MAXIMUM EFFICIENCY					扭矩 STALL TORQUE (g.cm)
	运行范围 OPERATING RANGE	标准值 NOMINAL	转速 SPEED (Rpm)	电流 CURRENT (A)	转速 SPEED (Rpm)	电流 CURRENT (A)	扭矩 TORQUE (g.cm)	输出 OUTPUT (W)	效率 EFF (%)	
DC-RS887-5126	10-36V	24.Dv CONSTANT	4200	0.24	3600	1.88	840	32.3	72.00	6800
DC-RS887-7518	20-48V	36.Dv CONSTANT	19000	1.50	16000	9.50	4700	460	48.50	9300
DC-RS887-5225	20-48V	30.Dv CONSTANT	14500	0.70	13000	8.50	1400	193	75.00	13500
DC-RS887-5212	10-36V	24.Dv CONSTANT	5300	0.23	4700	2.26	810	40.5	75.00	7000

外形图 OUTLINE DRAWING



性能曲线 PERFORMANCE CURVE



DX-4815 SERIES

电动工具无刷电机系列 Brushless motor for power tools

分体式结构, 包括有霍尔及无霍尔方案 Separated structure, with or without hall solution.



主要应用:
电动扳手、
锂电钻等电动工具

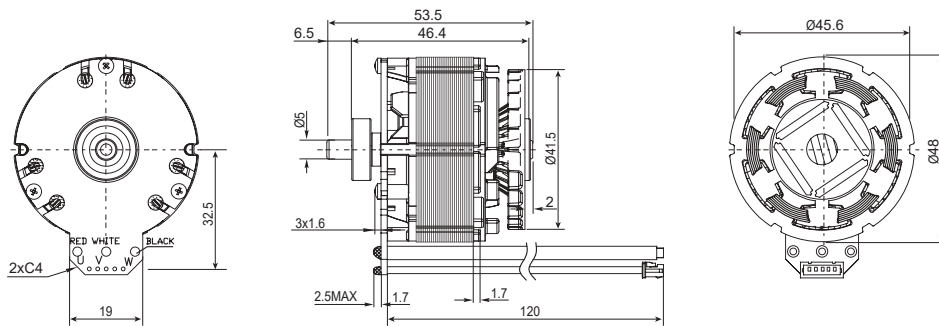
Application:
Electric wrench
Lithium electric drill and other electric tools

额定电压 Rated voltage : 18V DC
 空载转速 No load speed : 15600 ± 10% rpm
 空载电流 No load current : ≤ 4.0A
 额定扭矩 Rated torque : 0.18N.m
 额定功率 Rated power : 220W
 工作电流 Working current : ≤ 22A
 寿命 Life : > 3000h

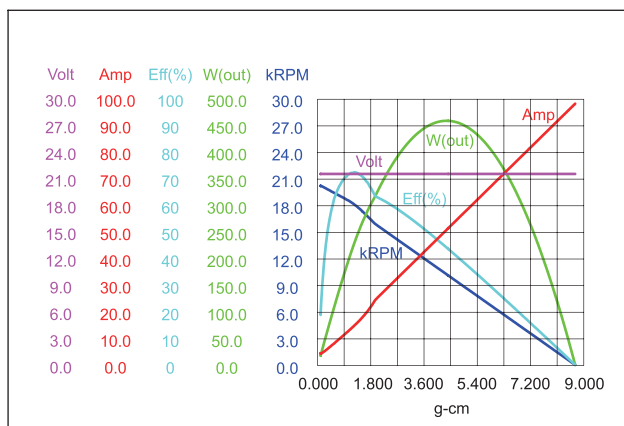
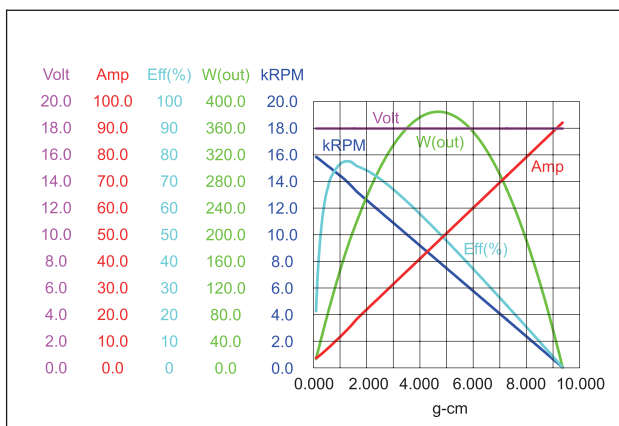
产品基本信息 GENERAL & BASIC INFORMATION

型号 MODEL	电压 VOLTAGE		空载 NO LOAD		最大效率 AT MAXIMUM EFFICIENCY						失速 STALL		
	运行范围 OPERATING RANGE	标准值 NOMINAL	转速 SPEED	电流 CURRENT	转速 SPEED	电流 CURRENT	扭矩 TORQUE		输出 OUTPUT	效率 EFF	电流 CURRENT	扭矩 TORQUE	
			(Rpm)	(A)	(Rpm)	(A)	(kg-cm)	(N-m)	(W)	(%)	(g.cm)	(g.cm)	(g.cm)
DX48F15S-18V	14.4-21.6V	18.0V CONSTANT	16150	2.13	13966	14.37	1.28	0.13	183.73	78	92.37	9.38	0.92
DX48F15S-21.6V	14.4-21.6V	21.6V CONSTANT	20500	2.40	18051	15.42	1.30	0.13	240.99	73	98.59	8.73	0.86

外形图 OUTLINE DRAWING



性能曲线 PERFORMANCE CURVE



DX-4820 SERIES

电动工具无刷电机系列 Brushless motor for power tools



分体式结构, 有霍尔或者无霍尔方案

Separated structure, with or without hall solution.



主要应用:

电动扳手、
锂电钻、
电锤等电动工具

Application:

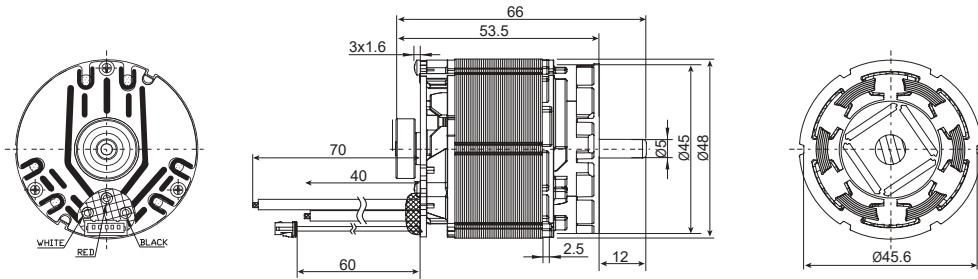
Electric wrench
Lithium electric drill
Electric tools such as electric hammer

额定电压 Rated voltage : 18V DC
空载转速 No load speed : 26500 ± 10% rpm
空载电流 No load current : ≤ 7.0A
额定扭矩 Rated torque : 0.2N.m
额定功率 Rated power : 450W
工作电流 Working current : ≤ 37A
寿命 Life : > 3000h

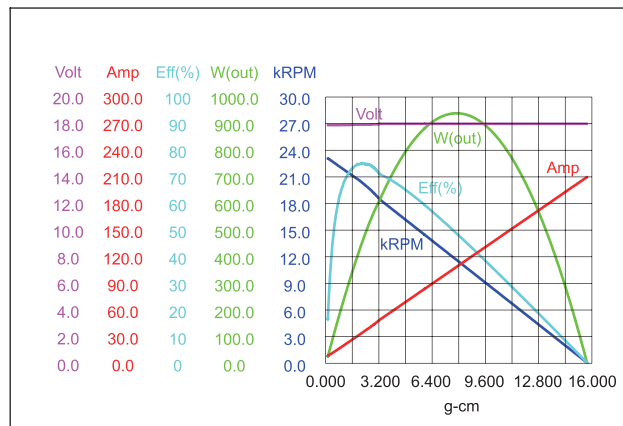
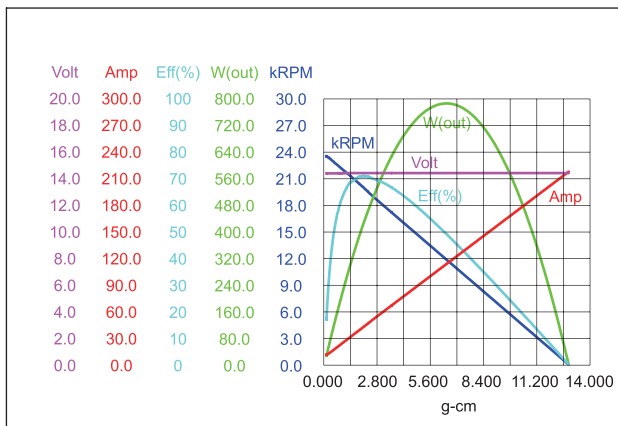
产品基本信息 GENERAL & BASIC INFORMATION

型号 MODEL	电压 VOLTAGE		空载 NO LOAD		最大效率 AT MAXIMUM EFFICIENCY					失速 STALL		
	运行范围 OPERATING RANGE	标准值 NOMINAL	转速 SPEED	电流 CURRENT	转速 SPEED	电流 CURRENT	扭矩 TORQUE	输出 OUTPUT	效率 EFF	电流 CURRENT	扭矩 TORQUE	
			(Rpm)	(A)	(Rpm)	(A)	(kg-cm) (N-m)	(W)	(%)	(g.cm) (g.cm)	(g.cm) (g.cm)	
DX48F20S-14.4V	14.4-21.6V	14.4V CONSTANT	24000	7.80	20243	41.37	2.01 0.20	417.44	72	218.85	12.91 1.27	
DX48F20S-18V	14.4-21.6V	18.0V CONSTANT	23000	4.70	20450	33.50	2.16 0.21	453.84	76	210.75	15.75 1.54	

外形图 OUTLINE DRAWING



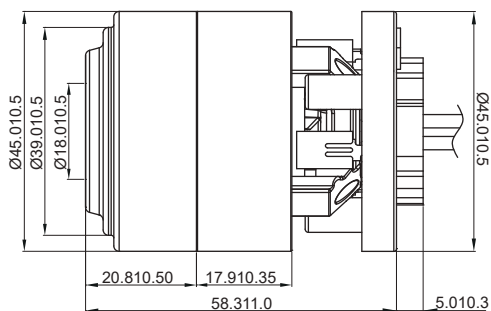
性能曲线 PERFORMANCE CURVE



DX-45 SERIES

吸尘器无刷电机系列

Vaccum cleaner brushless motor series

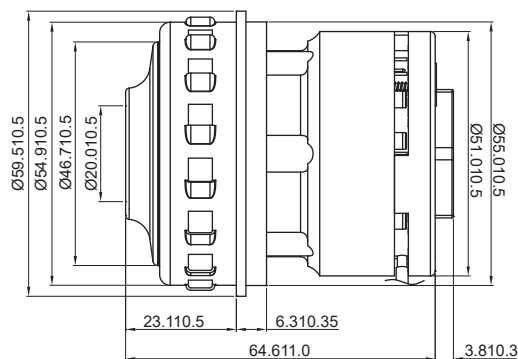


产品基本信息 GENERAL & BASIC INFORMATION

额定电压 Reted voltage(V)	7.2-14.4
额定输入功率 Rated input power(W)	40-150
最大真空度 Max vacuum degree(Kpa)	7-18
最大风量 Max air flow (m ³ /min)	10-15
最大吸入效率(W) Max suction efficiency(%)	45-50

转速(RPM) Run speed	60K-120K
寿命(H) Life	> 500
噪音 Noise(dB)	< 100
绝缘等级 Class of insulation	F

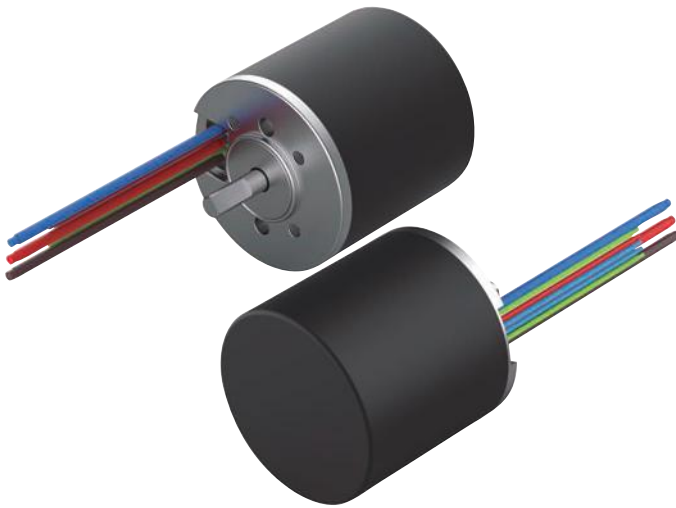
DX-H55 SERIES



产品基本信息 GENERAL & BASIC INFORMATION

额定电压 Reted voltage(V)	14.4-32.4
额定输入功率 Rated input power(W)	100-380
最大真空度 Max vacuum degree(Kpa)	11-28
最大风量 Max air flow (m ³ /min)	13-24
最大吸入效率(W) Max suction efficiency(%)	48-52

转速(RPM) Run speed	60K-110K
寿命(H) Life	> 500
噪音 Noise(dB)	< 100
绝缘等级 Class of insulation	F



主要应用:

机器人
变速箱离合换挡
吹风机
车载用品

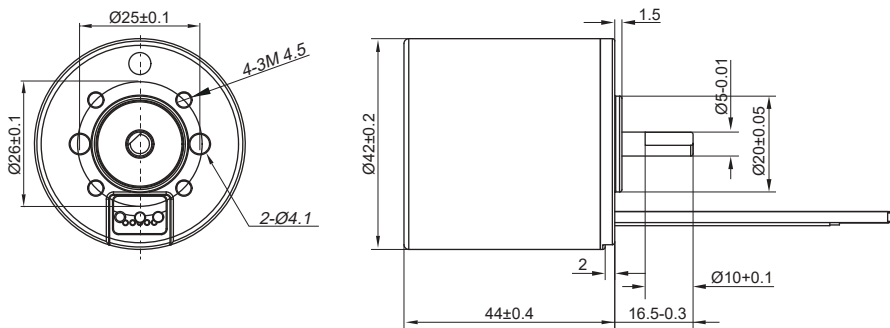
Application:

Robots
Transmission clutch shifting
hair drier
Car supplies

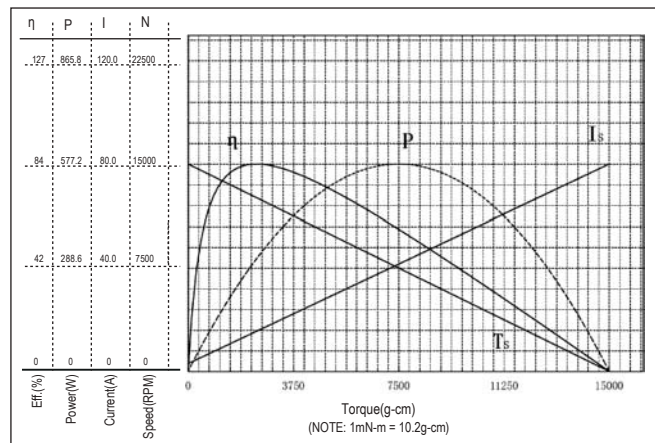
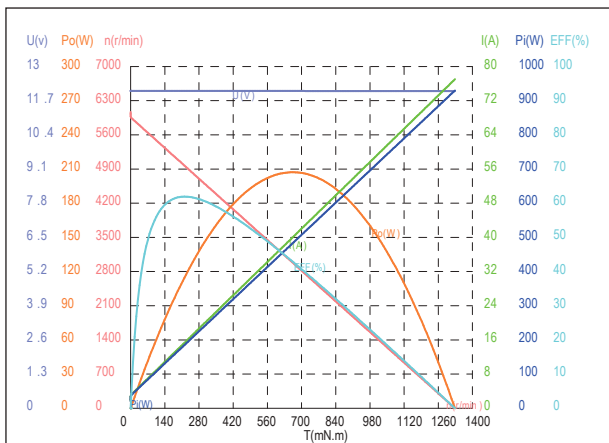
产品基本信息 GENERAL & BASIC INFORMATION

型号 MODEL	电压 VOLTAGE		空载 NO LOAD		最大效率 AT MAXIMUM EFFICIENCY					堵转 STALL	
	运行范围 OPERATING RANGE	标准值 NOMINAL	转速 SPEED (Rpm)	电流 CURRENT (A)	转速 SPEED (Rpm)	电流 CURRENT (A)	扭矩 TORQUE (mN.m)	输出 OUTPUT (W)	效率 EFF (%)	电流 CURRENT (A)	扭矩 TORQUE (mN.m)
DX-OR44	9-16V	12	3000-9000	1.5	6000	15	250mN.m	150	80	70	1300mN.m
	18-24V	24	12000-15000	3	15000	20	240mN.m	320	86	41.5	750mN.m

外形图 OUTLINE DRAWING



性能曲线 PERFORMANCE CURVE



DX-4815 SERIES

无刷电机系列-内转子 Brushless motor-inner rotor



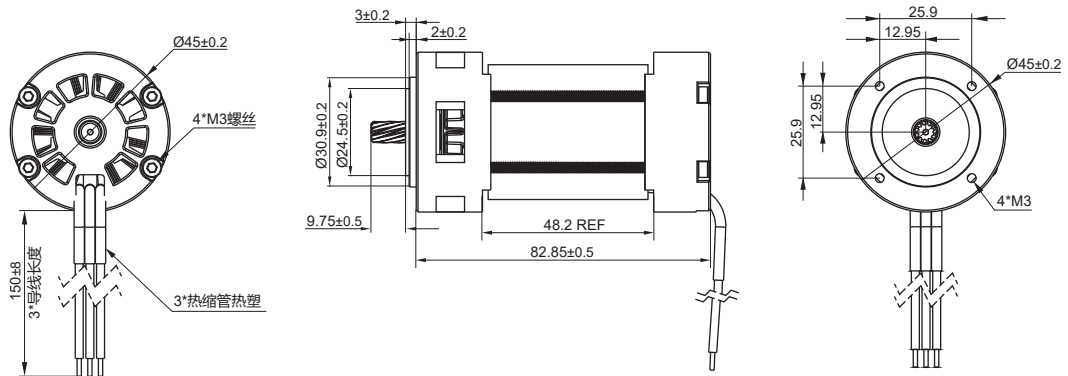
主要应用: 电动扳手
消防剪钳
水泵

Application: Electric wrench
Firefighting pliers
Water pump

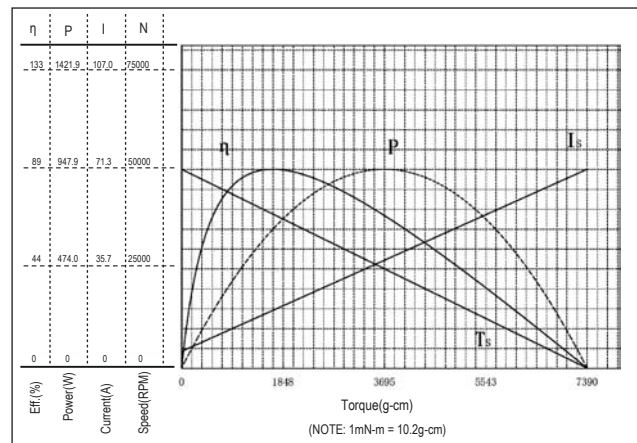
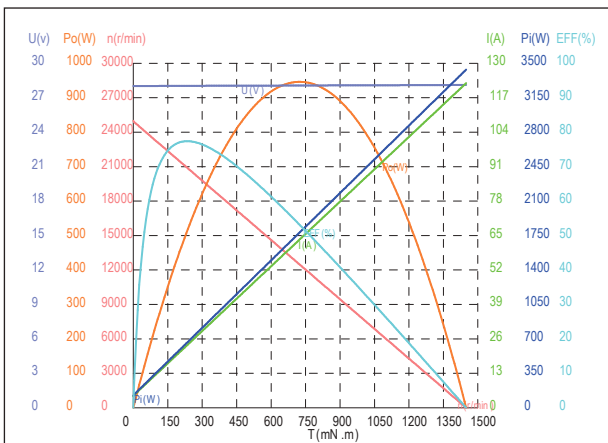
产品基本信息 GENERAL & BASIC INFORMATION

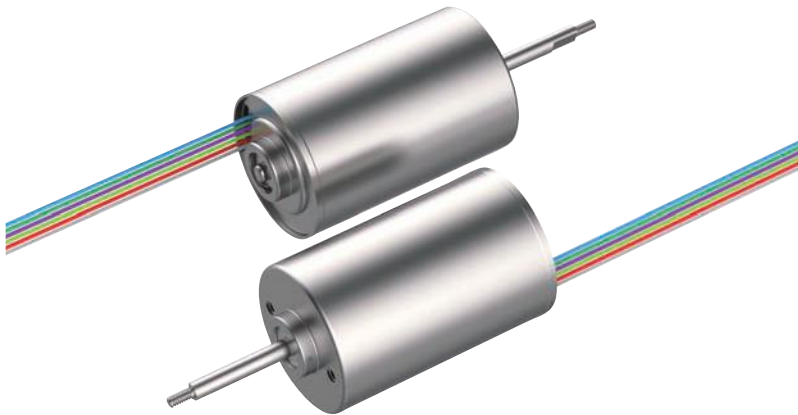
型号 MODEL	电压 VOLTAGE		空载 NO LOAD		最大效率 AT MAXIMUM EFFICIENCY					堵转 STALL	
	运行范围 OPERATING RANGE	标准值 NOMINAL	转速 SPEED (Rpm)	电流 CURRENT (A)	转速 SPEED (Rpm)	电流 CURRENT (A)	扭矩 TORQUE (mN.m)	输出 OUTPUT (W)	效率 EFF (%)	电流 CURRENT (A)	扭矩 TORQUE (mN.m)
DX-4815	12-18V	12	10000-20000	1-3A	15000	31.4	240mN.m	320	84	101	800mN.m
	24-36V	36	40000-50000	5-7A	50000	21	110mN.m	413	86	86	2000mN.m

外形图 OUTLINE DRAWING



性能曲线 PERFORMANCE CURVE





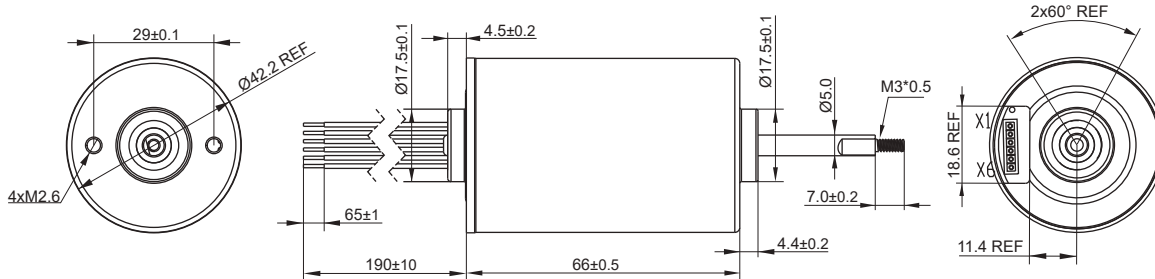
主要应用:
水下机器人
家用风扇
电动工具
离心机

Application:
Underwater robots
Household fans
Electric tools
Centrifuge

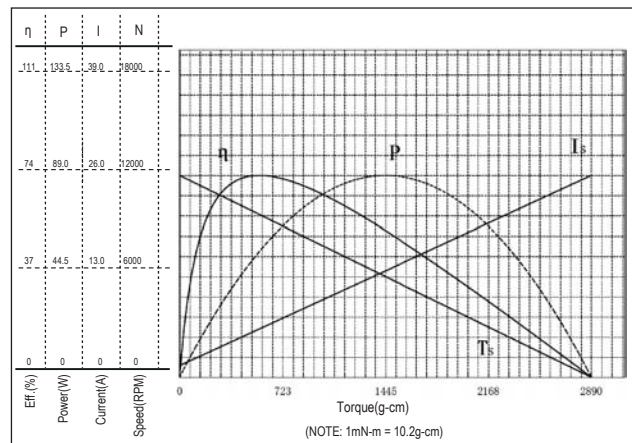
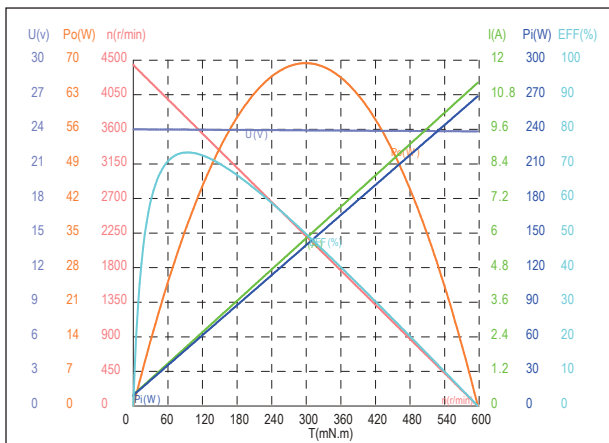
产品基本信息 GENERAL & BASIC INFORMATION

型号 MODEL	电压 VOLTAGE		空载 NO LOAD		最大效率 AT MAXIMUM EFFICIENCY					堵转 STALL	
	运行范围 OPERATING RANGE	标准值 NOMINAL	转速 SPEED (Rpm)	电流 CURRENT (A)	转速 SPEED (Rpm)	电流 CURRENT (A)	扭矩 TORQUE (mN.m)	输出 OUTPUT (W)	效率 EFF (%)	电流 CURRENT (A)	扭矩 TORQUE (mN.m)
DX-4266	7.4-18V	12	12000	1.5A	9800	6	53	75	74	21	3000mN.m
	18-24V	20	6450	0.54A	5250	2	55	34	76	1.72	144mN.m

外形图 OUTLINE DRAWING



性能曲线 PERFORMANCE CURVE



DX-4250 SERIES

无刷电机系列-内转子 Brushless motor-inner rotor



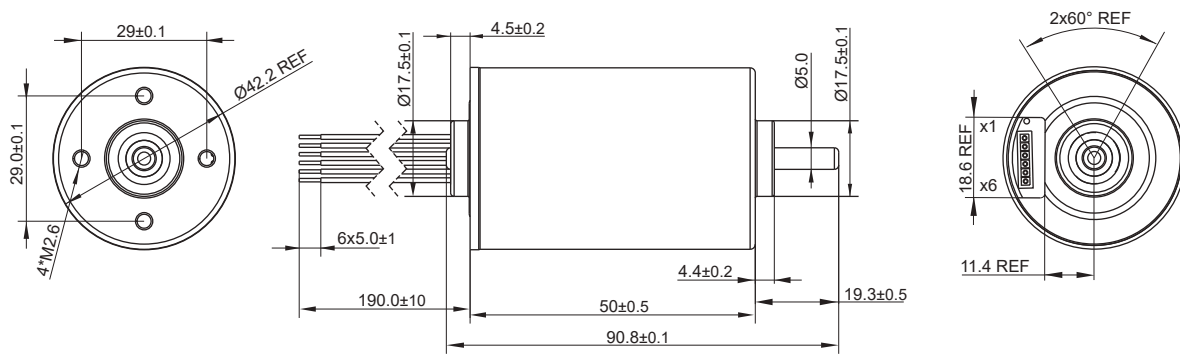
主要应用: 水下机器人
机车配件
家用风扇
离心机

Application: Underwater robots
Locomotive accessories
Household fan
Centrifuge

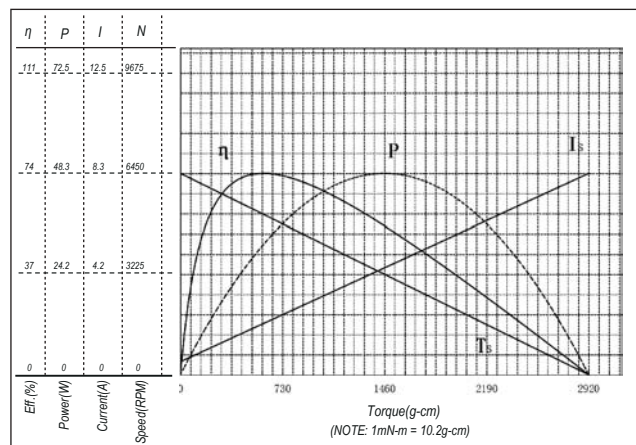
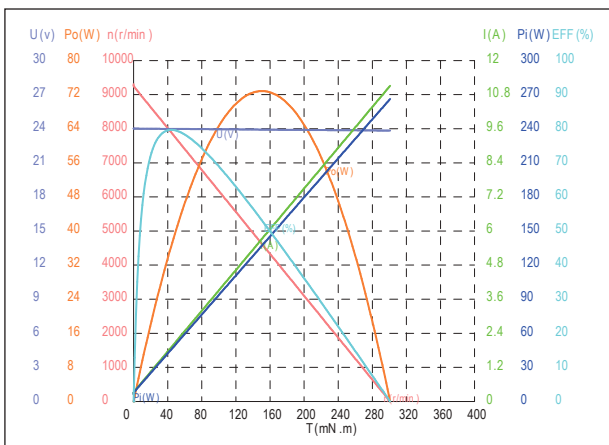
产品基本信息 GENERAL & BASIC INFORMATION

型号 MODEL	电压 VOLTAGE		空载 NO LOAD		最大效率 AT MAXIMUM EFFICIENCY					堵转 STALL	
	运行范围 OPERATING RANGE	标准值 NOMINAL	转速 SPEED (Rpm)	电流 CURRENT (A)	转速 SPEED (Rpm)	电流 CURRENT (A)	扭矩 TORQUE (mN.m)	输出 OUTPUT (W)	效率 EFF (%)	电流 CURRENT (A)	扭矩 TORQUE (mN.m)
DX-4250	7.4-18V	12	12000	1.5A	9800	6	54	75	74	21	289mN.m
	18-24V	20	6500	0.54A	5250	2	55	34	74	1.72	144mN.m

外形图 OUTLINE DRAWING



性能曲线 PERFORMANCE CURVE



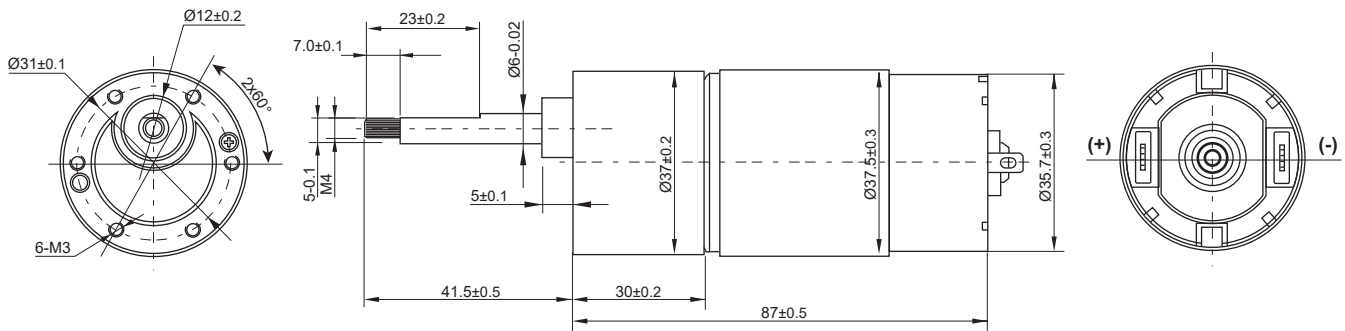


主要用途: 智能家居, 水下机器人, 升降机, 车载用品
Application: Smart Home, Underwater robots, elevator, Car supplies

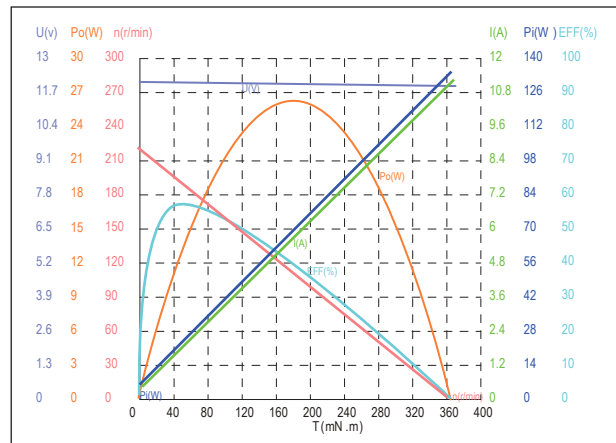
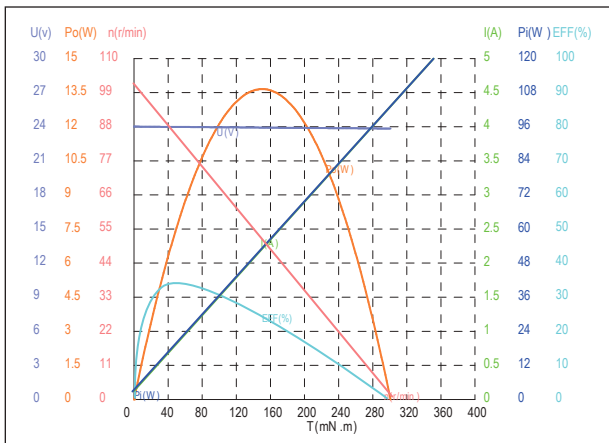
产品基本信息 GENERAL & BASIC INFORMATION

型号 MODEL	电压 VOLTAGE		空载 NO LOAD		最大效率 AT MAXIMUM EFFICIENCY					堵转 STALL	
	运行范围 OPERATING RANGE	标准值 NOMINAL	转速 SPEED (Rpm)	电流 CURRENT (A)	转速 SPEED (Rpm)	电流 CURRENT (A)	扭矩 TORQUE (mN.m)	输出 OUTPUT (W)	效率 EFF (%)	电流 CURRENT (A)	扭矩 TORQUE (mN.m)
塔式 减速电机	21V	21	185	0.13	153	0.7	494mN.m	7.9	60	3.4	2900mN.m
	12V	12	220	0.29	185	1.97	688mN.m	13	62	11	4600mN.m
	24V	24	102	0.14	87	0.84	760mN.m	6.9	60	4.9	5300mN.m

外形图 OUTLINE DRAWING



性能曲线 PERFORMANCE CURVE



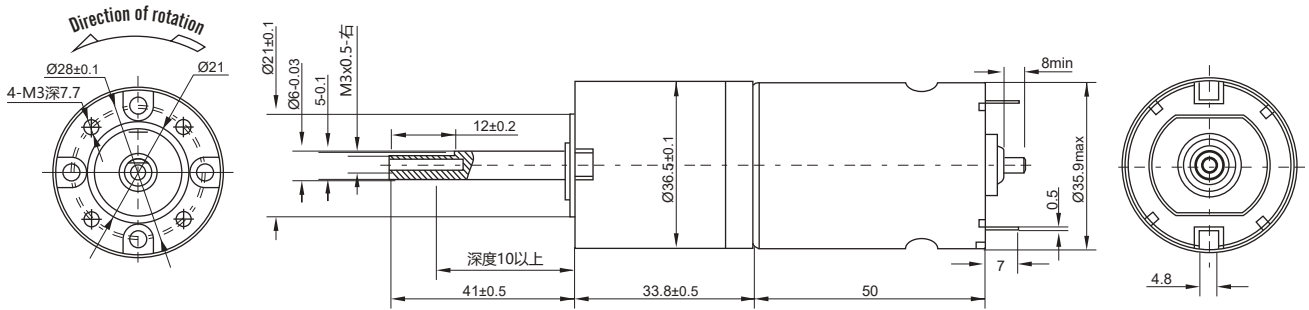


主要用途: 智能家居, 水下机器人, 升降机, 车载用品
Application: Smart Home, Underwater robots, elevator, Car supplies

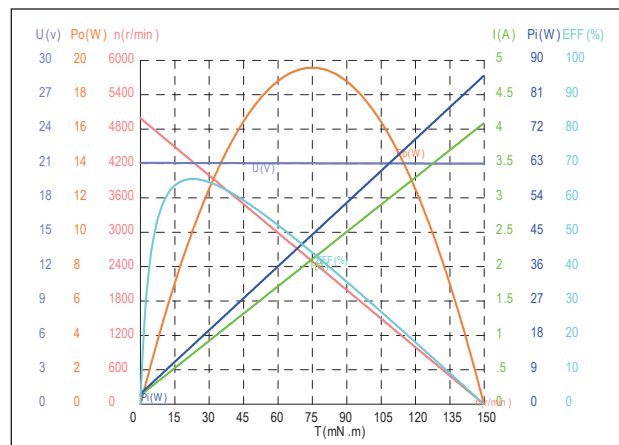
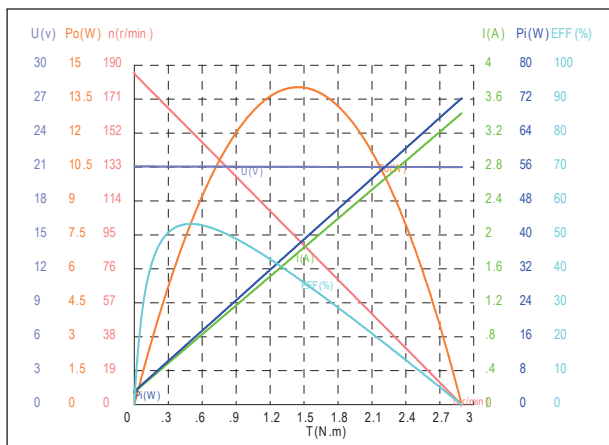
产品基本信息 GENERAL & BASIC INFORMATION

型号 MODEL	电压 VOLTAGE		空载 NO LOAD		最大效率 AT MAXIMUM EFFICIENCY				堵转 STALL		
	运行范围 OPERATING RANGE	标准值 NOMINAL	转速 SPEED (Rpm)	电流 CURRENT (A)	转速 SPEED (Rpm)	电流 CURRENT (A)	扭矩 TORQUE (mN.m)	输出 OUTPUT (W)	效率 EFF (%)	电流 CURRENT (A)	扭矩 TORQUE (mN.m)
行星减 速电机	21V	21	185	0.13	153	0.7	494mN.m	7.9	60	3.4	2900mN.m
	12V	12	220	0.29	185	1.97	688mN.m	13	62	11	4600mN.m
	24V	24	102	0.14	87	0.84	760mN.m	6.9	60	4.9	5300mN.m

外形图 OUTLINE DRAWING



性能曲线 PERFORMANCE CURVE





DEXIN

德欣电机

宁波德欣电机有限公司

NINGBO DEXIN MOTOR CO.,LTD.

地址: 浙江省余姚市远东工业城CW-6

Address: CW6, Far East Industrial City, Yuyao, Zhejiang, China 315400

电话 Tel: 0574-2222 2399

传真Fax: 0574-2222 2395

Email:dx@metaltec-motor.cn